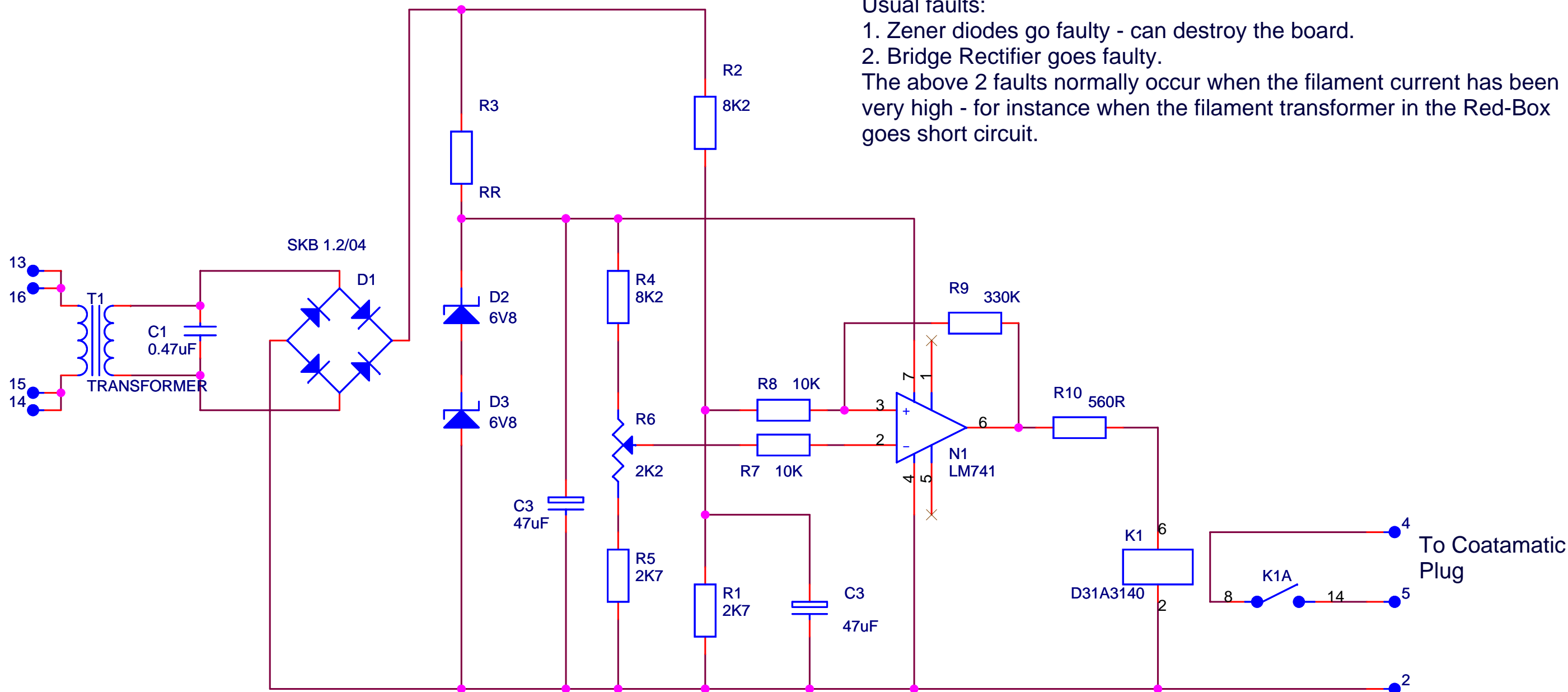


This board tells the coatamatic plug (remote computer) when there is filament current. The primary of transformer T1 is in series with the filament. The output of the transformer generates the supply for the op-amp LM741 and also one of its inputs. The other input is adjustable to set the current at which the relay operates to short pins 4 and 5 on the coatamatic plug.

Usual faults:

1. Zener diodes go faulty - can destroy the board.
 2. Bridge Rectifier goes faulty.
- The above 2 faults normally occur when the filament current has been very high - for instance when the filament transformer in the Red-Box goes short circuit.



Any comments on this diagram: please email Colin@Highland-Scientific.com

Title		
Signal Print for EKS110, drawn by Colin Hinson for Highland-Scientific		
Size	Document Number	Rev
A	2	A
Date:	Thursday, January 05, 2012	Sheet 1 of 1